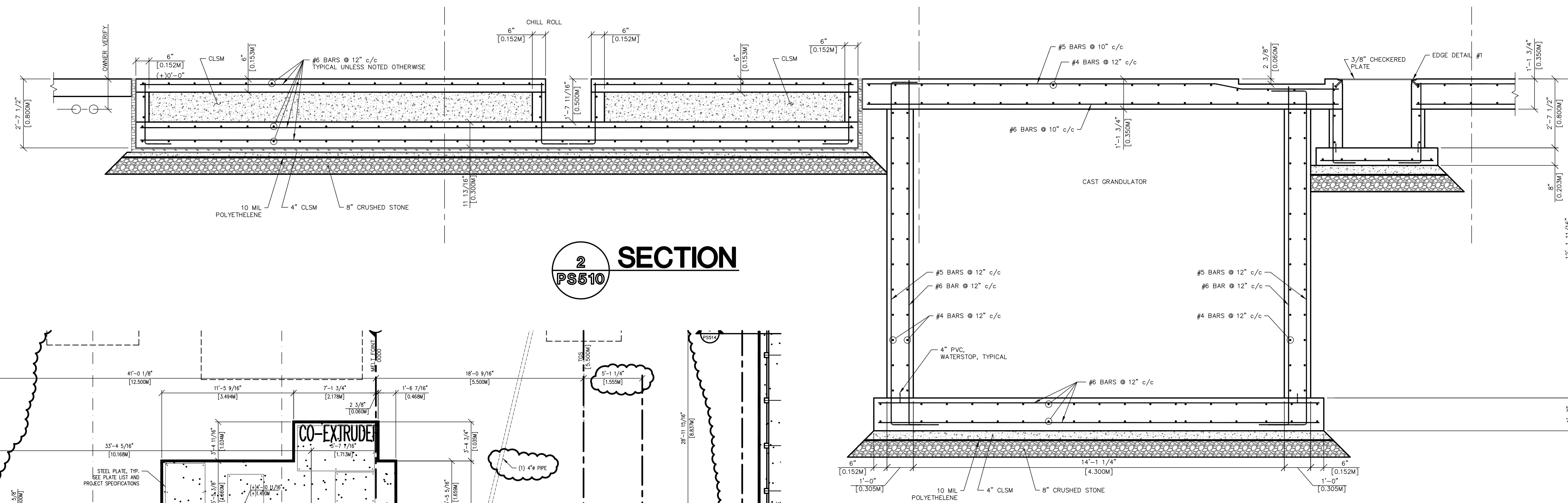
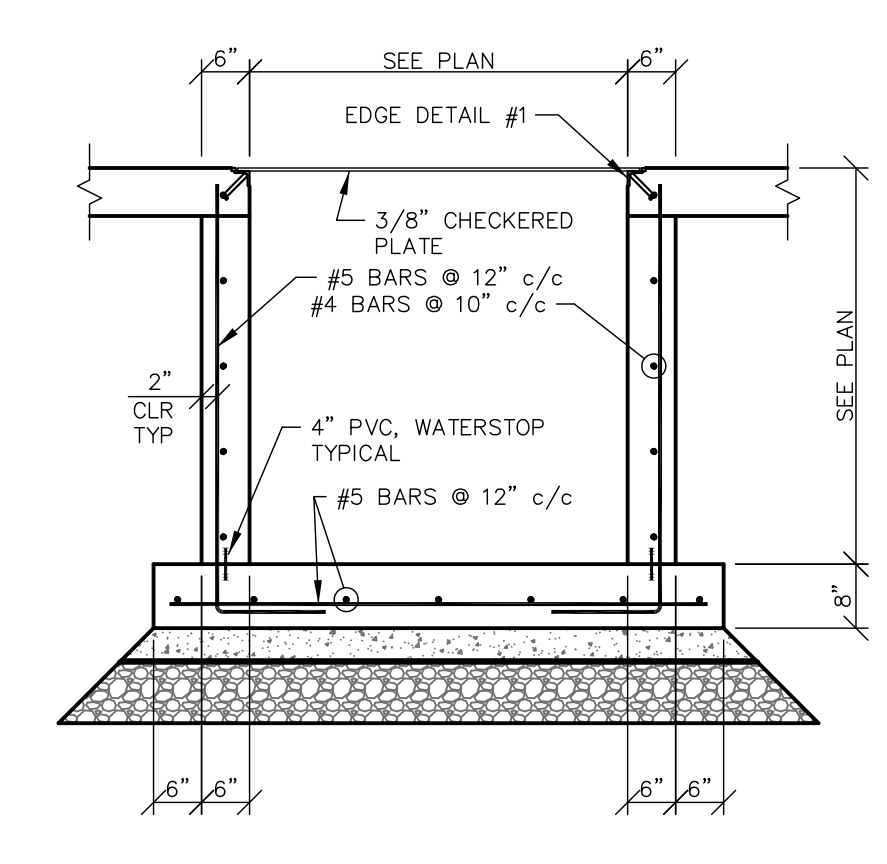
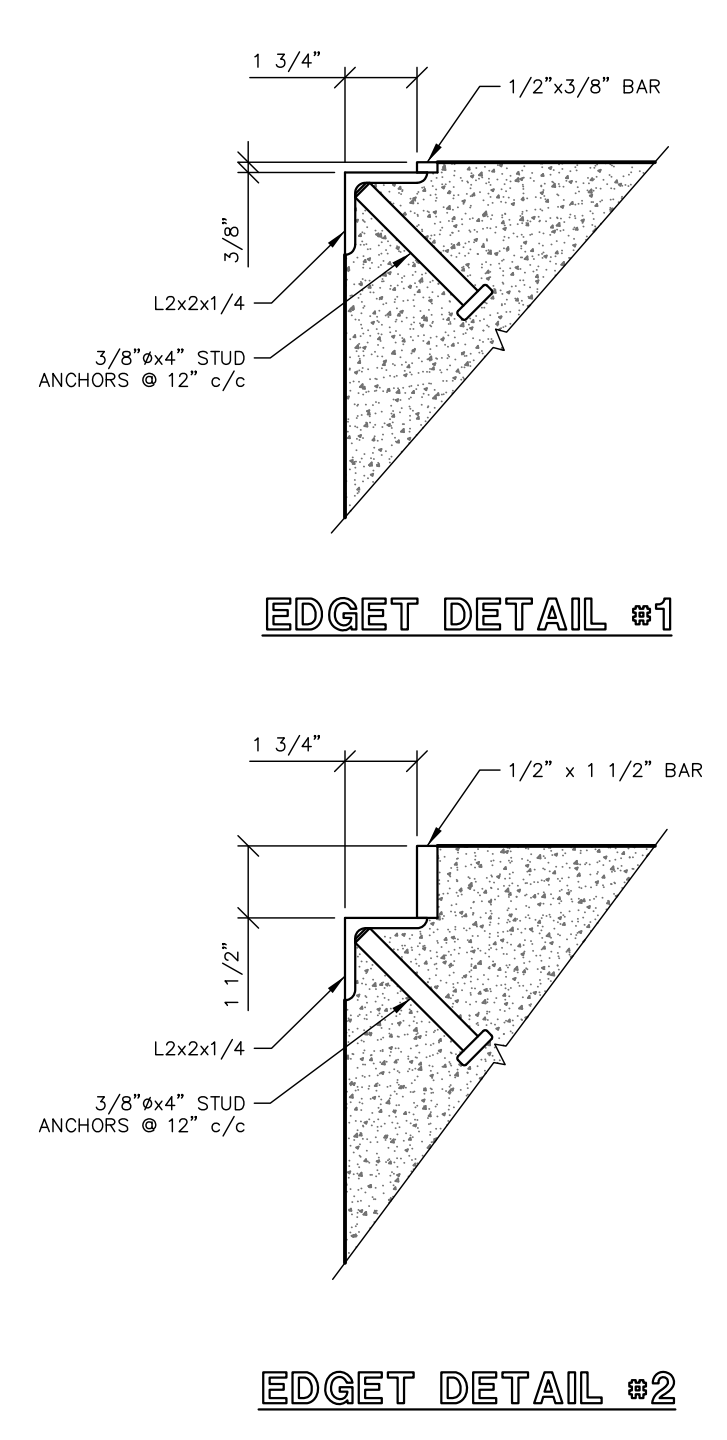


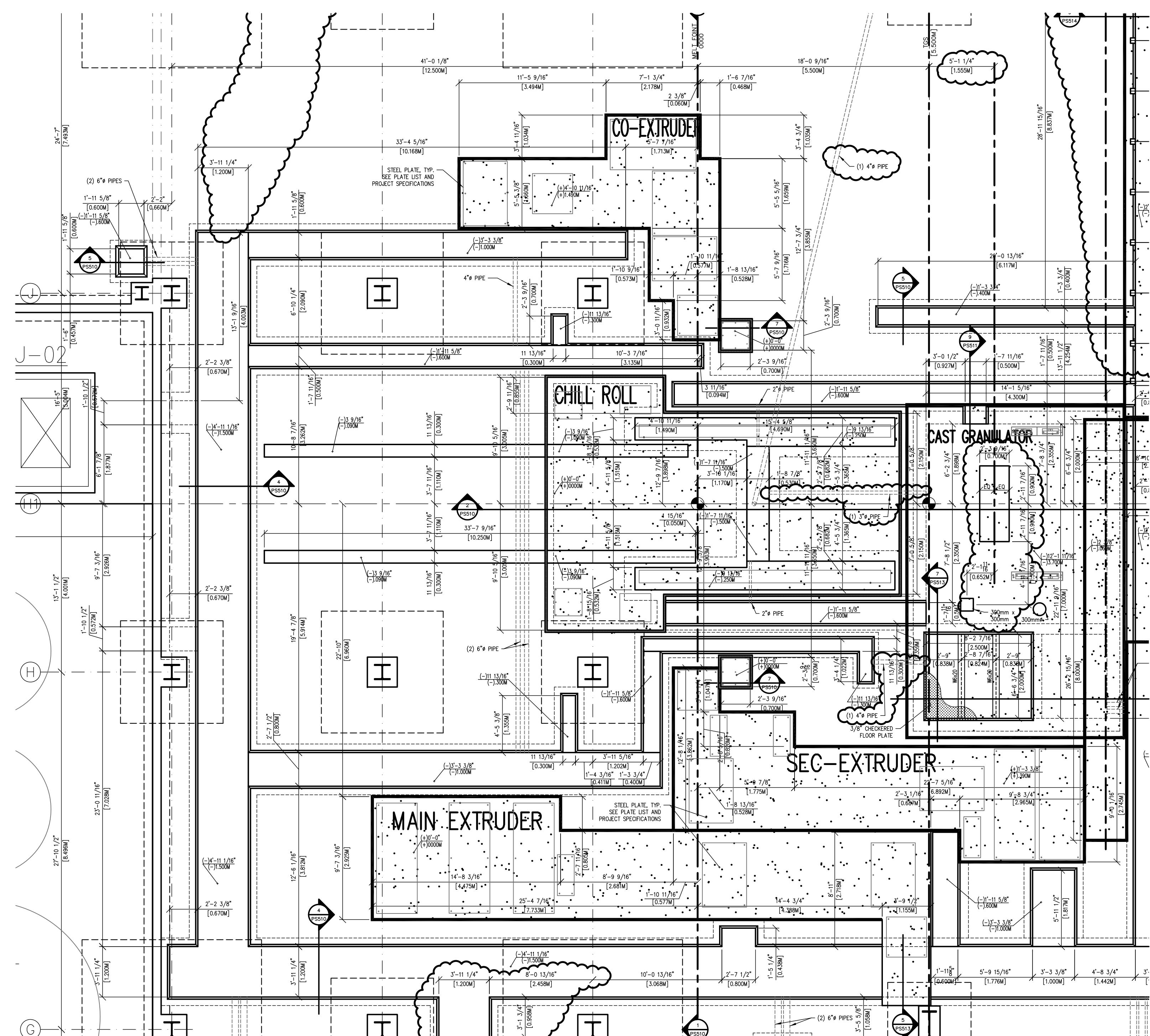
1 SECTION
PS510



2 SECTION
PS510

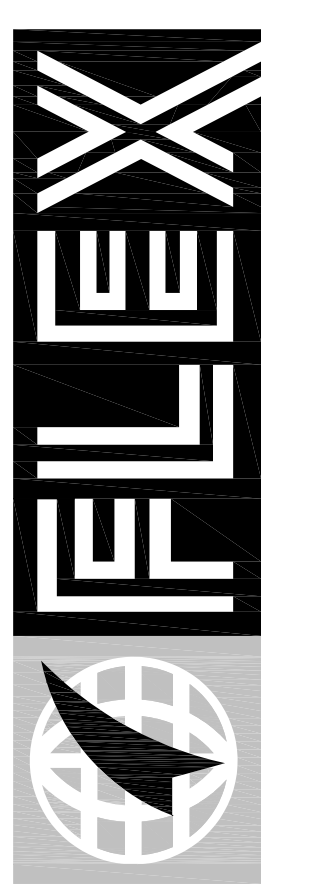


5 SECTION
PS510



EXTRUDER AND CHILL ROLL LAYOUT

EXTRUDER AND CHILL ROLL LAYOUT



FLEX FILMS (USA) INC.
1221 NORTH BLACK BRANCH ROAD
ELIZABETHTOWN, KENTUCKY 42702
PROJECT L-12 BOPET U.S.A.

| DATE | REVISION |
|----------|-----------------------|
| 10-11-11 | REVISION NUMBER ONE |
| 11-15-11 | REVISION NUMBER TWO |
| 01-04-12 | REVISION NUMBER THREE |

DESIGNED BY: EPH
DRAWN BY: GPT/EFH
CHECKED BY: FH
REVIEWED BY: JLY
DATE: JULY 2011
SCALE: AS NOTED

nse OF KENTUCKY, INC.
Engineers
Architects
Planners
624 Wellington Way
Lexington, KY 40523
Phone: (606) 223-5694
Fax: (606) 223-5697
www.nseinc.com

DRAWING NO.
UFL-L12
PS-020